

# High Bonding Tape Solution For Automotive Display

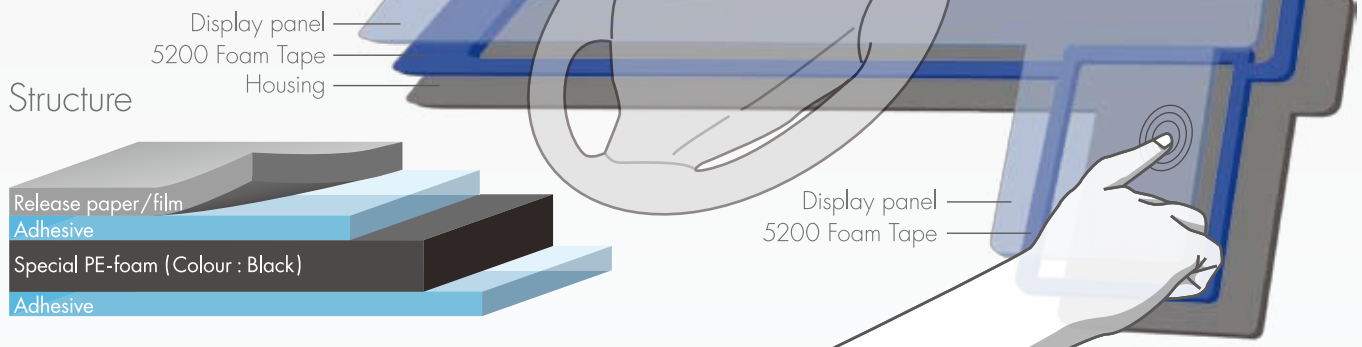


# SEKISUI 5200 High Bonding Foam Tape Series

High performance foam tape for bonding display to instrument panel

## Application

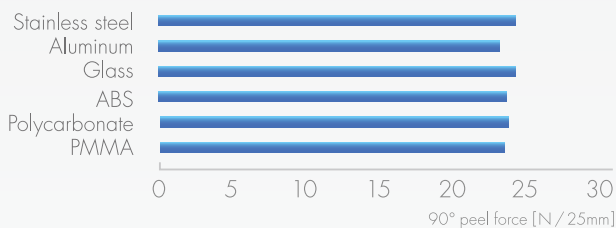
## Structure



## Benefits

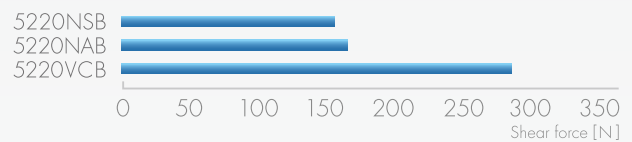
### 90° peel force

Superior peel force for different substrates  
Test sample : 5220NSB (200 μm)



### Overlap shear force

Excellent shear force with wide product range  
Test sample : 5220NSB, 5220NAB, 5220VCB (200 μm)

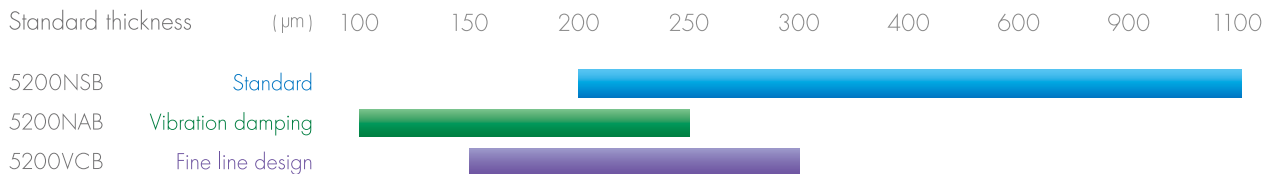


> Sample size : 12.5 mm × 25 mm > Peeling speed : 10mm/min  
> Substrate : Polycarbonate

5200 foam tape series has the following superior features suitable for bonding display cover panels.

- > Strong adhesion to various substrates
- > Excellent vibration damping
- > Gap filling and bonding with rough surfaces
- > Low VOC emission \*Compared to conventional products
- > Dustproof and waterproof

## Product



## Contact

Email : [sekisui-automotive@sekisui.com](mailto:sekisui-automotive@sekisui.com)

JAPAN (Headquarters) : SEKISUI CHEMICAL CO., LTD. Automotive Materials Sales Office  
2-3-17 Toranomon, Minato-ku, Tokyo 105-8450, Japan TEL +81-3-5521-0783 [www.sekisuichemical.com](http://www.sekisuichemical.com)

AMERICA : SEKISUI PRODUCTS, LLC.  
50 W. Big Beaver Road, Suite 145, Troy MI 48084, U.S.A. TEL +1-248-307-0000

EUROPE : SEKISUI CHEMICAL, G.m.b.H.  
Cantadorstr.3 40211 Düsseldorf, Germany TEL +49-211-36977-0 [www.sekisui.de](http://www.sekisui.de) [tape@sekisui.de](mailto:tape@sekisui.de)

CHINA (HONG KONG) : SEKISUI (HONG KONG) LTD.  
8th Floor, 111 Leighton Road, Causeway Bay, Hong Kong TEL +852-2890-9161 [www.sekisui.com.hk](http://www.sekisui.com.hk)

CHINA (SHANGHAI) : SEKISUI (SHANGHAI) INTERNATIONAL TRADING CO., LTD.  
Room 706, Metro Tower, No.30, Tianyaoqiao Road Shanghai, 200030, China TEL +86-21-6482-0638

THAILAND/ASIA : SEKISUI CHEMICAL (THAILAND) CO., LTD.  
968 12th Floor, U-Chuliang Building, Rama 4 Road, Silom, Bangrak, Bangkok 10500, Thailand TEL +66-2-632-4561